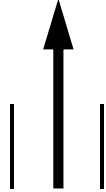
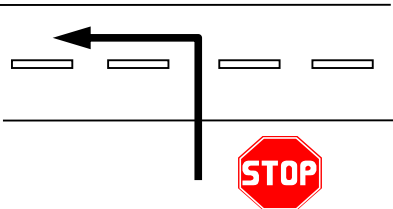
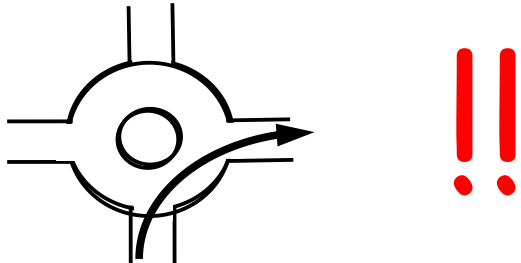
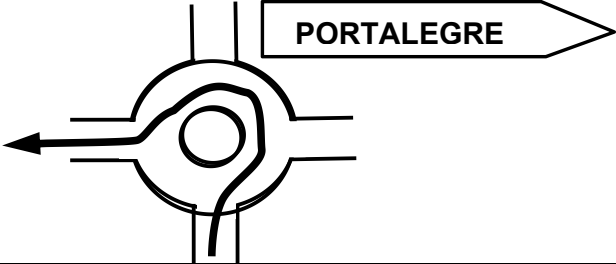
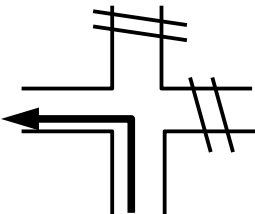
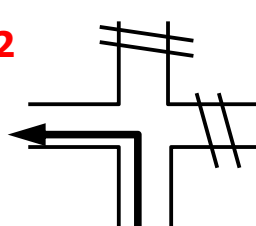
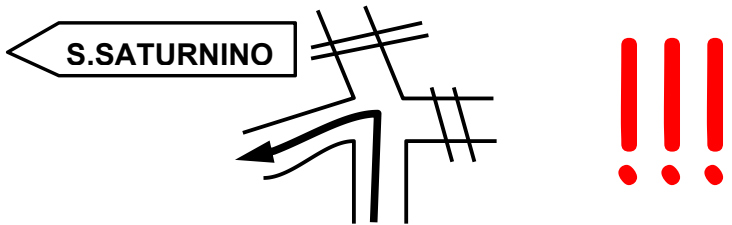
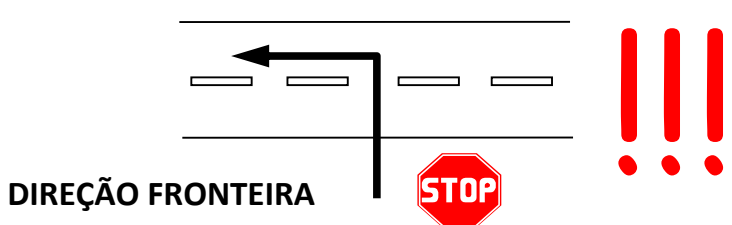
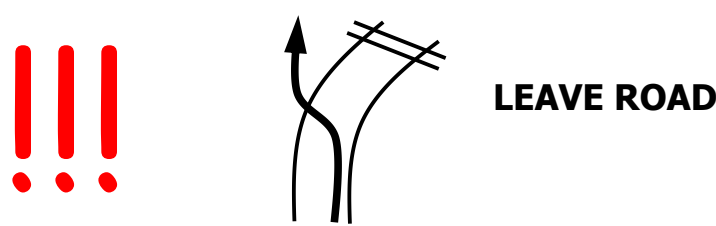
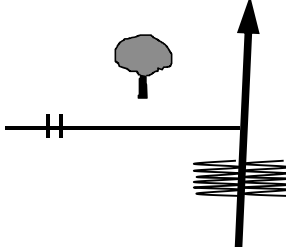
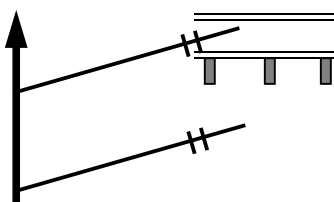


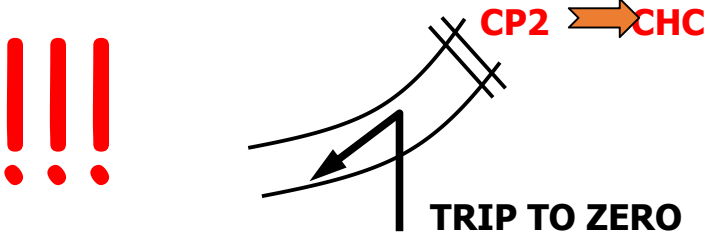
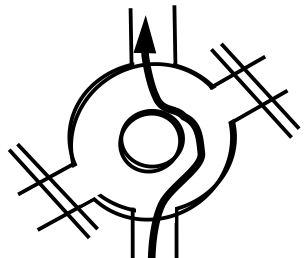
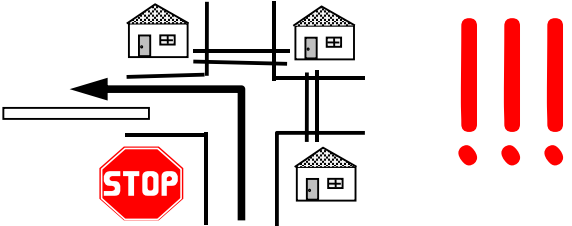
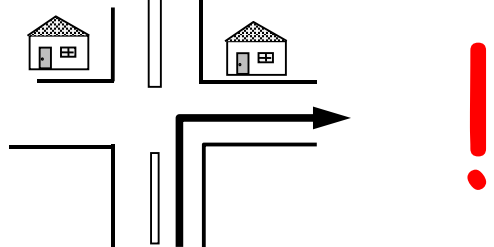
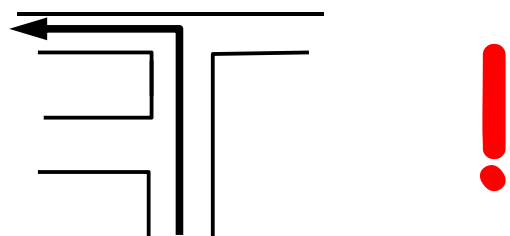
## CREW POINTS - ALL LOOP'S

TOTAL	PARCIAL	
<b>0,00</b>	<b>0,00</b>	<p><b>CHP</b> → <b>CP1</b></p>  <p style="text-align: right;"><b>TRIP TO ZERO MAIN GATE</b></p>
<b>0,19</b>	<b>0,19</b>	
<b>0,25</b>	<b>0,06</b>	
<b>1,05</b>	<b>0,80</b>	
<b>6,68</b>	<b>5,63</b>	 <p style="text-align: right;"><b>LEAVE ROAD</b></p>
<b>6,78</b>	<b>0,10</b>	<b>CP 1</b>

## CREW POINTS - ALL LOOP'S

TOTAL	PARCIAL	
<b>0,00</b>	<b>0,00</b>	<p><b>CP1</b> → <b>CP2</b></p>  <p style="text-align: right;"><b>TRIP TO ZERO IN THE ROAD</b></p>
<b>3,18</b>	<b>3,18</b>	
<b>13,38</b>	<b>10,20</b>	 <p style="text-align: center;"><b>DIREÇÃO FRONTEIRA</b></p>
<b>17,88</b>	<b>4,50</b>	 <p style="text-align: right;"><b>LEAVE ROAD</b></p>
<b>18,04</b>	<b>0,16</b>	
<b>18,31</b>	<b>0,27</b>	

## CREW POINTS - ALL LOOP'S

TOTAL	PARCIAL	
<b>19,12</b>	<b>1,24</b>	<b>CP 2</b>
<b>0,00</b>	<b>0,00</b>	 <p style="text-align: right; color: red; font-weight: bold;">CP2 → CHC</p> <p style="text-align: center; font-weight: bold;">TRIP TO ZERO</p>
<b>4,10</b>	<b>4,10</b>	
<b>4,36</b>	<b>0,26</b>	
<b>4,64</b>	<b>0,28</b>	
<b>4,72</b>	<b>0,08</b>	

**CREW POINTS - ALL LOOP'S**

<b>TOTAL</b>	<b>PARCIAL</b>	
<b>4,92</b>	0,20	<b>CHC</b>